

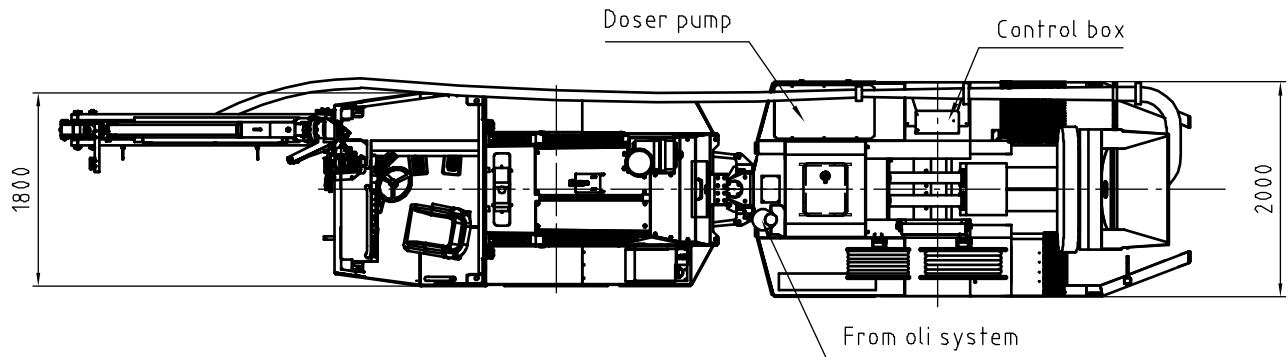
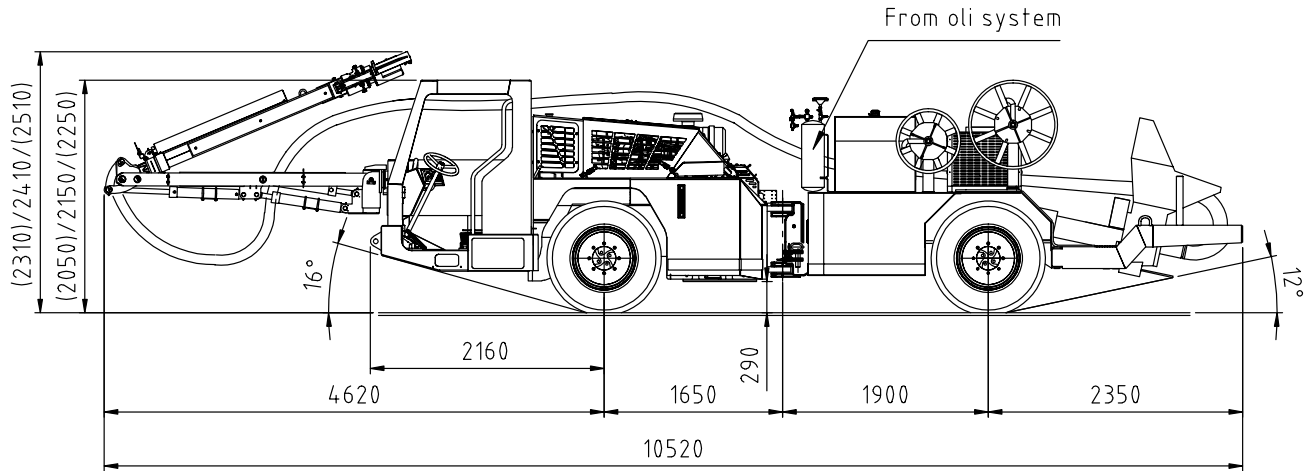
normet

Normet Corporation
Ahmolantie 6
FI-74510 IISALMI, FINLAND
Tel +358 (0) 17 83 241
Fax +358 (0) 17 823 606

Spraymec 6050 WP

Diesel-hydraulic Shotcreter

TI 100004455
DRW
DATE 13.11.2007
PAGE 1 / 4
APPR. 21.07.2008



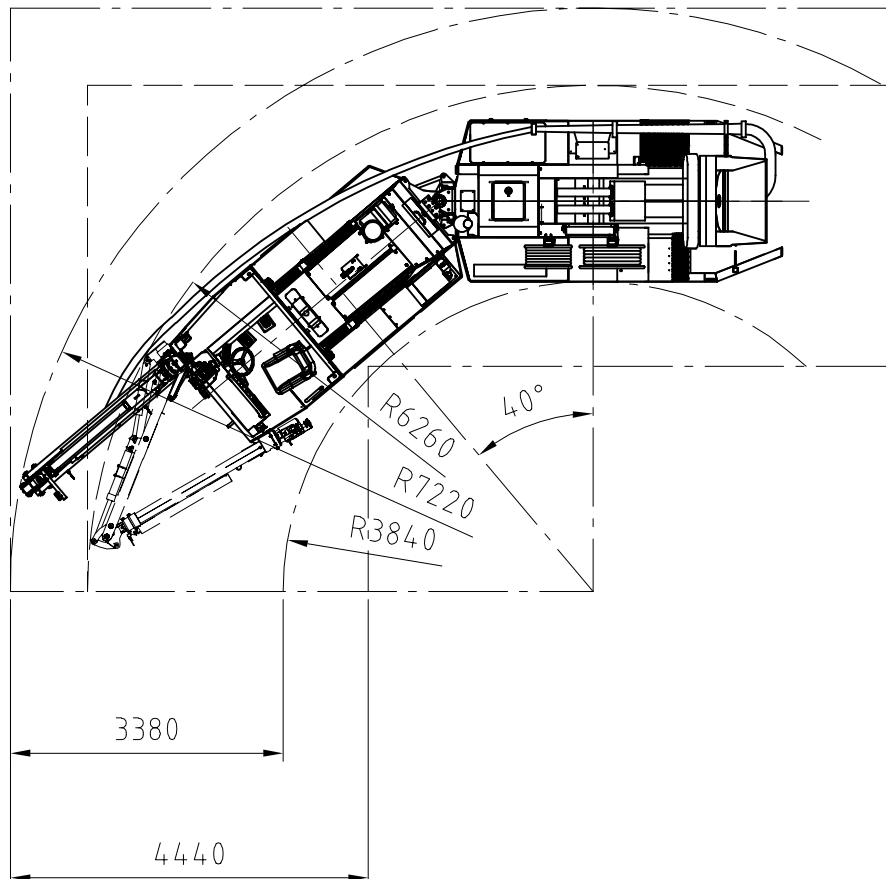
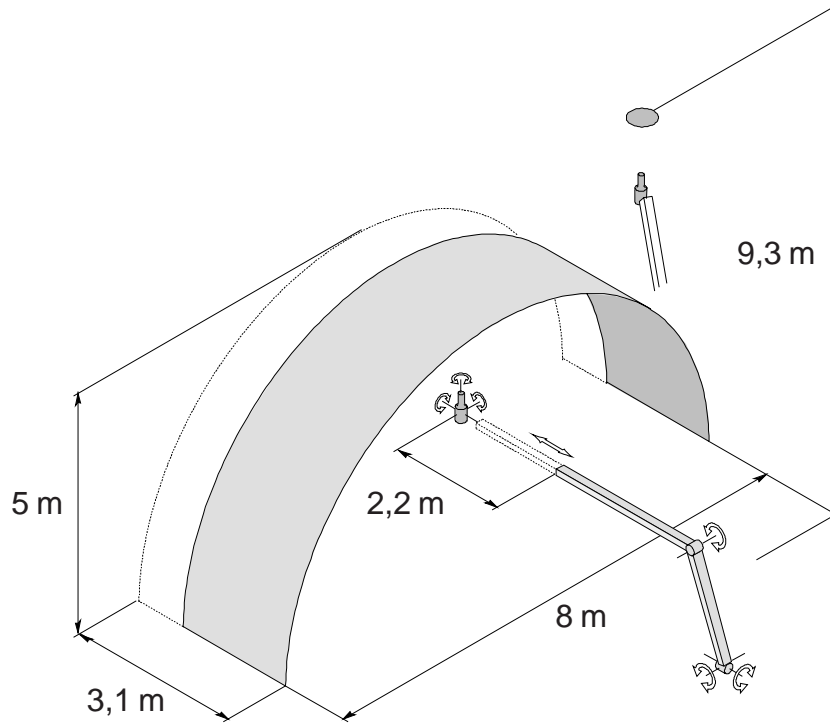
normet

Normet Corporation
Ahmolantie 6
FI-74510 IISALMI, FINLAND
Tel +358 (0) 17 83 241
Fax +358 (0) 17 823 606

Spraymec 6050 WP

Diesel-hydraulic Shotcreter

TI 100004455
DRW
DATE 13.11.2007
PAGE 2 / 4
APPR. 21.07.2008





Normet Corporation
 Ahmolantie 6
 FI-74510 IISALMI, FINLAND
 Tel +358 (0) 17 83 241
 Fax +358 (0) 17 823 606

Spraymec 6050 WP

Diesel-hydraulic Shotcreter

TI 100004455
 DRW
 DATE 13.11.2007
 PAGE 3 / 4
 APPR. 21.07.2008

ENGINE

Deutz TCD 2012
 96 kW/2200 rpm

TRANSMISSION

Dana Spicer powershift
 3 speeds forwards and reverse
 4-wheel drive

AXLES

Planetary type

TYRES

10.00 - 20 PR 16

BRAKES

Drive brake: hydraulic power assisted two-circuit
 oil immersed multidisc brakes in both axles
Safety/Parking brake: hydraulically released
 fail safe -type brake

STEERING

Hydraulic frame steering
 Orbitrol type
 Frame articulation +/- 40°
 Oscillation +/- 10°

HYDRAULICS

210 bar, 95 l/min/2200 rpm

ELECTRICAL SYSTEM

Carrier:

24 V
 Battery 2 x 105 Ah
 Alternator 80 A
 Lights (2+2) x 70 W

Shotcreting operations:

Working lights 6 X 70 W

PERFORMANCE CURVE

3700350
 1st. gear max. 5 km/h
 2nd gear 14 km/h
 3rd gear 30 km/h
 Max. tractive effort 90 kN

DIMENSIONS

Length 10520 mm
 Width 2000 mm
 Height 2150 mm
 Wheel base 3550 mm
 Track 1480 mm
 Ground clearance 290 mm

TURNING RADIUS

Outer 7220 mm
 Inner 3840 mm

WEIGHT

Operating 13500 kg

SHOTCRETING BOOM

Boom rotation 270°
 Boom lifting -20°...+75°
 Boom folding -60°...+165°
 Extension 2200 mm
 Nozzle rotation 360°
 Nozzle tilting 105°

WET CONCRETE PUMP

Diesel hydraulic 4-19 m³/h

ACCELERATOR PUMP

Max. pressure 40 bar
 Liquid flow 1...20 l/min

ACCELERATOR TANK

Volume 350 l

AIR HOSE REEL

Manual, 1 1/2" hose 30 m

OPTIONS AND ACCESSORIES:**ENCLOSED CABIN**

Width with enclosed cabin 2000 mm

CABIN HEATING**AIR CONDITIONING****ENGINE**Mercedes Benz OM904 LA
90 kW/2200 rpm**ACCELERATION PUMP**Nordoser 900 EH
Liquid flow 1...20 l/min**LIGHTS**

Spot light in cabin 2 pcs

HIGH PRESSURE WASHER

Hydraulically operated

1. For washing the machine
 - *water pressure 180 bar
 - *water flow 30 l
2. For washing the rock
 - *water pressure 460 bar
 - *water flow 50 l

WATER HOSE REEL

Manual, 3/4" hose 30 m

REMOTE CONTROL with 10 m cable**FORM OIL SYSTEM****SUPPORT LEGS** in front of machine 1 pair
when support legs mounted with enclosed cabin,
machine length will be 10.800 mm